

# SPEEDTEC® 400SP & 500SP

Spare Parts .....	1
Figure A: Machine Assembly .....	2
Figure B: Inside Machine Assembly .....	4
Figure C: Front Assembly .....	5
Figure D: Rear Assembly .....	6
Miscellaneous Items (not shown in figure A, B, C, D) .....	6
Electrical Schematic .....	7
CODE: 50547, 50548 .....	7



# Spare Parts

SP50547, SP50548 REV00  
01/2021

ASSEMBLY PAGE NAME			Machine Assembly	Machine Assembly	Machine Assembly	Miscellaneous Items		
CODE NO.:	K NO.:	FIGURE NO.:	A	B	C	-		
50547	K14258-1	SPEEDTEC® 400SP	1	1	1	1		
50548	K14259-1	SPEEDTEC® 500SP	2	2	2	2		

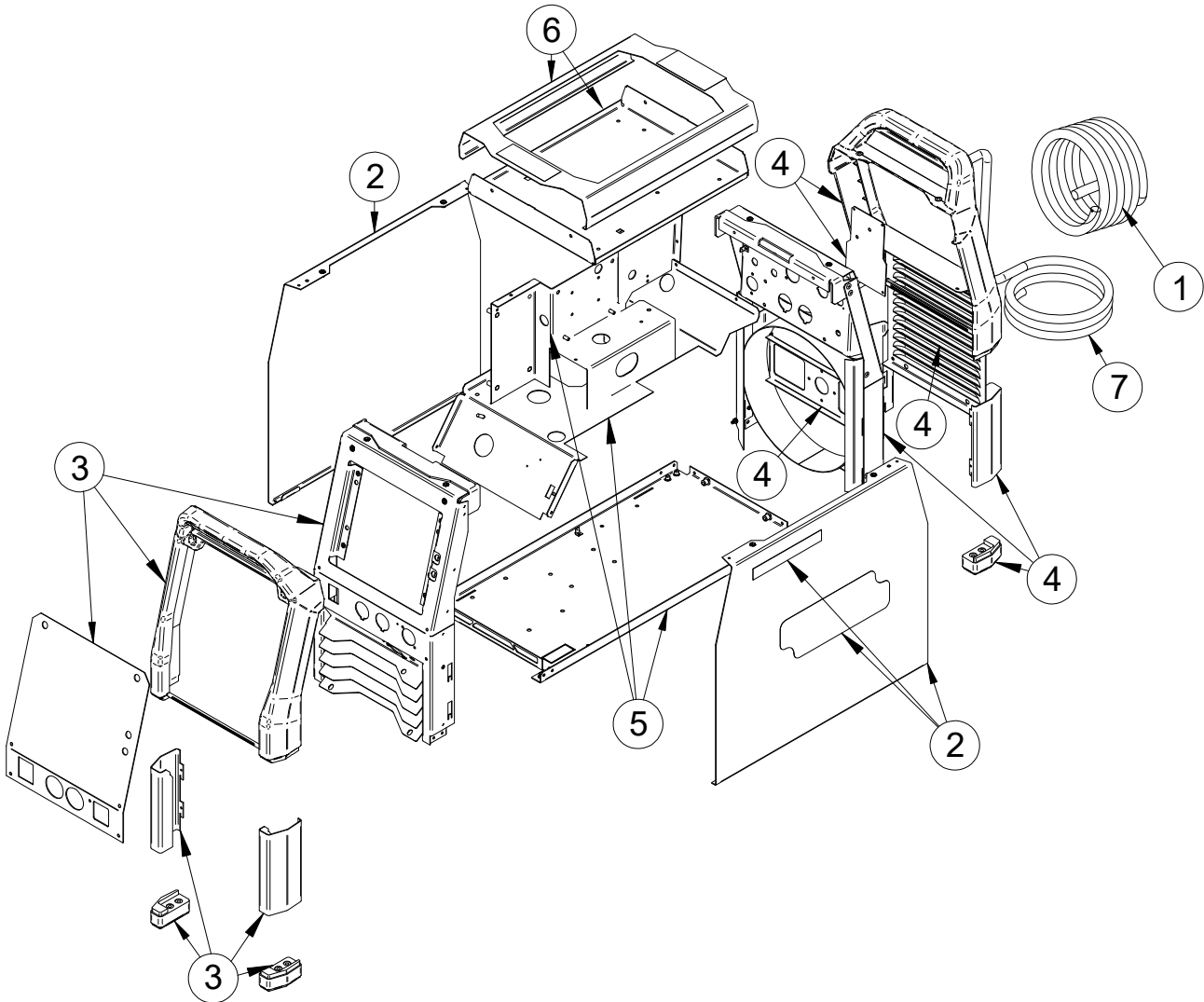


Figure A

**Figure A: Machine Assembly**

Item	Description	Part Number	QTY	1	2	3	4	5	6	7
1	WELDING CABLE	R-5041-024-2R	1	X	X					
2	SIDE PANEL KIT includes:	T-8040-103-1R	1	X	X	-	-	-	-	
	SIDE PANEL		2	X	X					
	LINCOLN ELECTRIC SIDE LABEL		2	X	X					
	SPEEDTEC® LABEL		2	X	X					
3	FRONT PANEL KIT includes:	T-8040-104-1R	1	X	X					
	COVER		1	X	X					
	FRONT PANEL ASSEMBLY		1	X	X					
	FRONT HANDLE CASE COMPLETE		1	X	X					
	RIGHT COVER		1	X	X					
	LEFT COVER		1	X	X				-	
	RIGHT FOOT		1	X	X					
	LEFT FOOT		1	X	X			-	-	
4	REAR PANEL KIT includes:	T-8040-105-1R	1	X	X					
	BACK PANEL ASSEMBLY		1	X	X					
	COVER		1	X	X					
	COVER		1	X	X					
	BRACKET		1	X	X					
	FRONT HANDLE CASE COMPLETE		1	X	X					
	RIGHT COVER		1	X	X					
	LEFT COVER		1	X	X					
	RIGHT FOOT		1	X	X					
	LEFT FOOT		1	X	X					
5	BASE, PARTITION, SHELF KIT includes:	T-8040-106-1R	1	X	X					
	BASE ASSEMBLY		1	X	X					
	SHELF ASSEMBLY		1	X	X					
	PARTITION		1	X	X					
6	COVER KIT includes:	T-8040-107-1R	1	X	X					
	COVER		1	X	X					
	COVER		1	X	X					
	LABEL		1	X	X					
	LABEL		1	X	X					
	LABEL		1	X	X					
7	POWER LEAD (5m)	D-5578-171-2R	1	X	X					

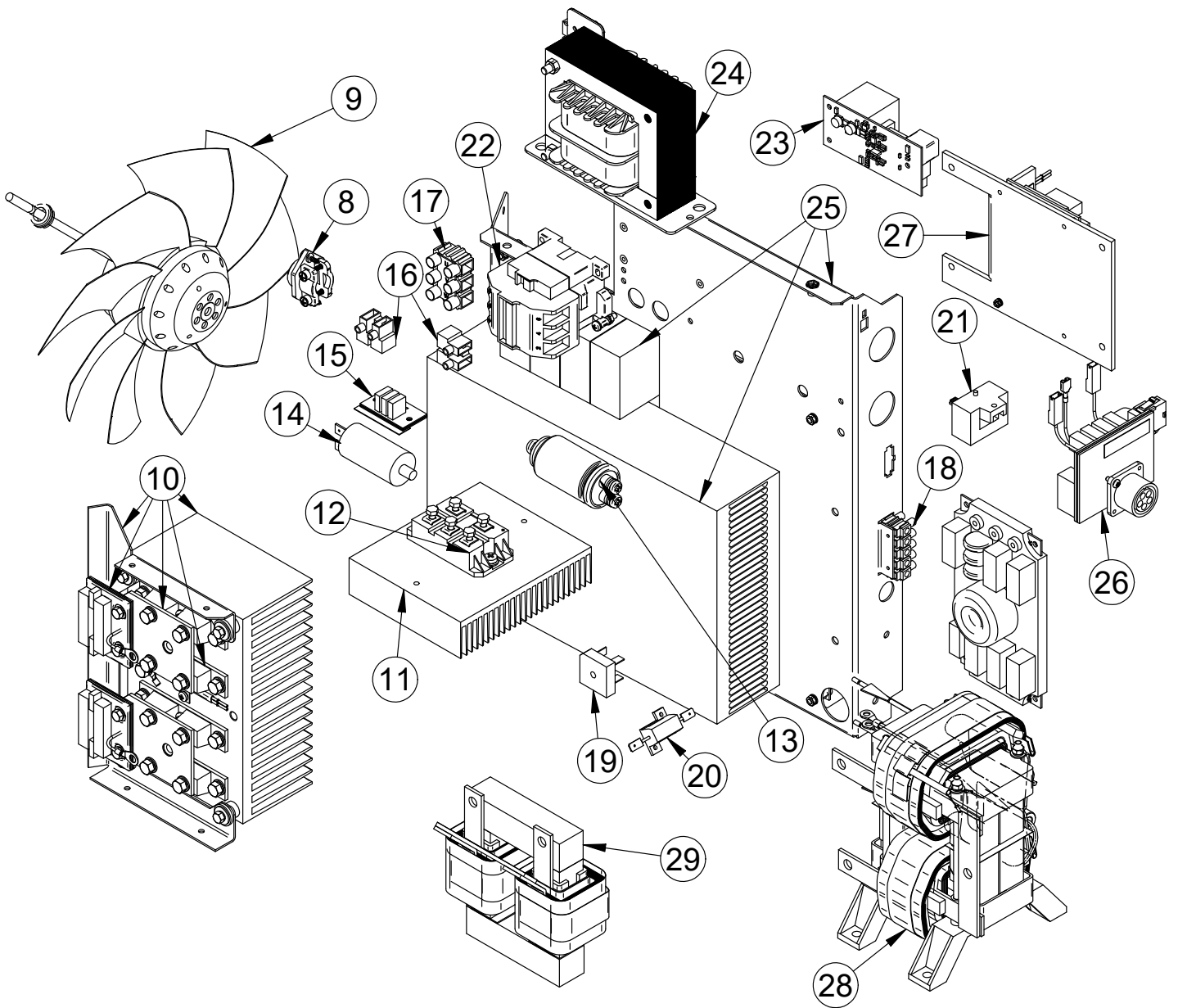


Figure B

**Figure B: Inside Machine Assembly**

Item	Description	Part Number	QTY	1	2	3	4	5	6	7
8	STRAIN RELIEF	1361-599-674R	1	X	X					
9	FAN ASSEMBLY KIT	T-8040-108-1R	1	X	X					
10	OUTPUT RECTIFIER KIT includes:	T-8040-109-1R	1	X	X					
	ALUMINIUM PROFILE KE190		1	X	X					
	DIODE MODULE DKR200AB60		4	X	X					
	BRACKET		1	X	X					
	LEAD		2	X	X					
	PC BOARD ASSEMBLY		2	X	X					
11	INPUT RECTIFIER HEATSINK	R-0000-287-1R	1	X	X					
12	INPUT RECTIFIER V1	W4100021R	1	X	X					
13	CAPACITOR 2200U/100VDC	1158-125-329R	1	X	X					
14	CAPACITOR TC886JS 3UF/K	1158-121-046R	1	X	X					
15	FILT EMC FILTER EMC	R-8040-361-1R	1	X	X					
16	TERMINAL BLOCK LZW B-4	1131-990-022R	2	X	X					
17	TERMINAL BLOCK TLZ-10 12T	1131-990-011R	3	X	X					
18	TERMINAL BLOCK	1131-990-005R	5	X	X				-	
19	RECTIFIER BRIDGE KBPC5006F	1156-112-100R	1	X	X					
20	RESISTOR 12R/25W	1158-112-702R	1	X	X					
21	TRANSF. 500A-4V	90000389PR	1	X	X					
22	CONTACTOR CI-30-24V	1115-212-210R	1	X	X					
23	SPEEDTEC® 410/510SP GREEN MODE PCB	Y081-1R	1	X	X					
24	AUX. TRANSFORMER-SPEEDTEC®	R-4034-160-1R	1	X	X					
25	PC BOARD ASSEMBLY includes:	T-8040-110-1R	1		X					
	HEATSINK		1		X					
	SWITCH BOARD		1		X					
	PARTITION ASSEMBLY		1		X					
25	PC BOARD ASSEMBLY includes:	T-8040-110-2R	1	X						
	HEATSINK		1	X						
	SWITCH BOARD		1	X						
	PARTITION ASSEMBLY		1	X						
26	P.C. BOARD (FILTER OUTPUT)	R-8040-339-2R	1	X	X					
27	BUS 40V DC	R-8040-348-1R	1	X	X					
28	TRANSFORMER SPEEDTEC®	R-4034-184-1R	1	X	X					
29	CHOKE	R-4034-181-1R	1	X	X					

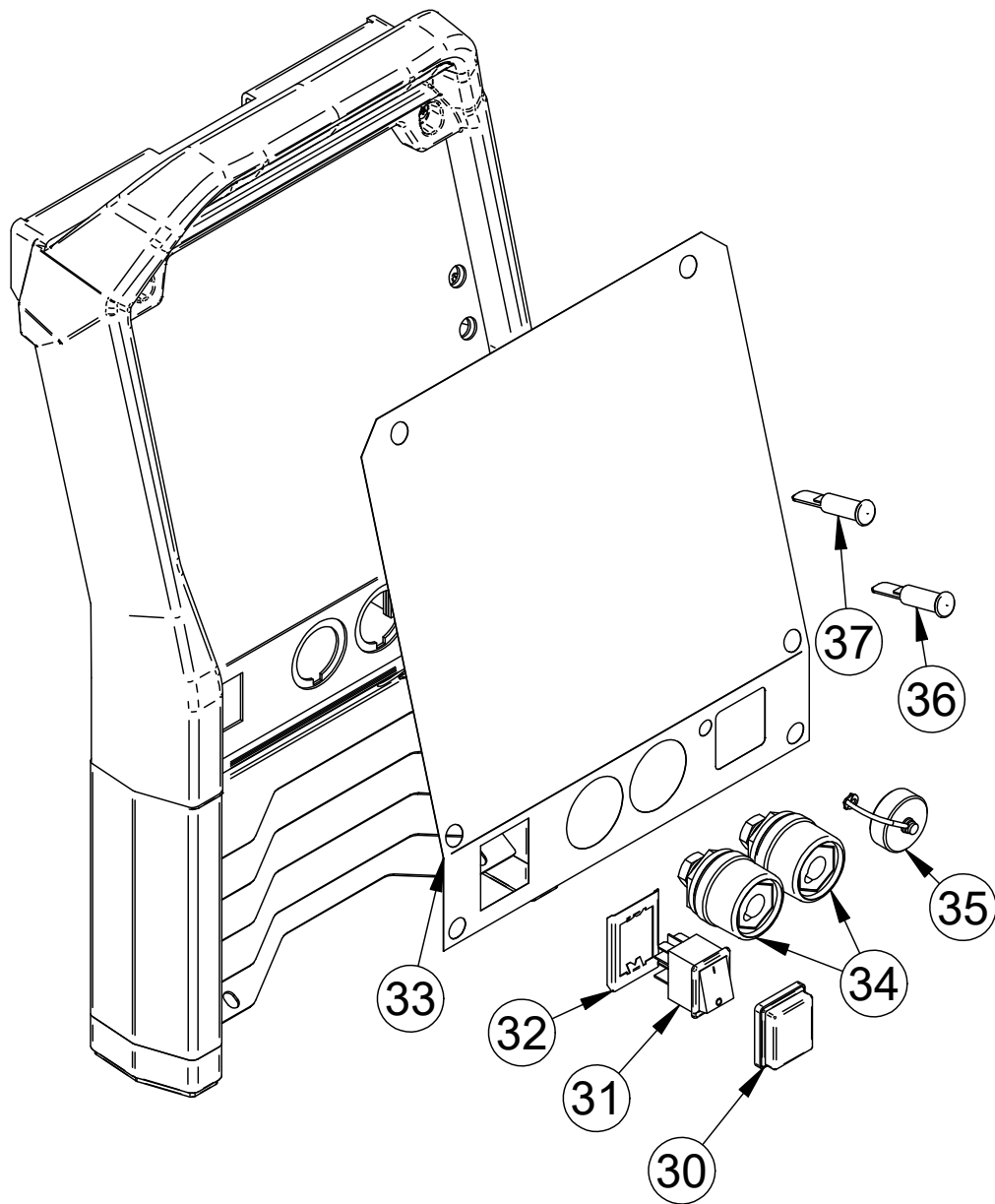


Figure C

Figure C: Front Assembly

Item	Description	Part Number	QTY	1	2	3	4	5	6	7
30	SWITCH COVER AND BEZEL	1115-299-073R	1	X	X					
31	SWITCH W4.8 0/I 400V GREEN	1115-270-019R	1	X	X					
32	INTERLOCK	D-2722-029-1R	1	X	X					
33	FRONT LABEL	R-0000-284-1R	1		X					
	FRONT LABEL	R-0000-284-2R	1	X						
34	SOCKET	90000595PR	2	X	X					
35	PROTECTION COVER PLUG AMP	1158-641-128R	1	X	X					
36	LAMP WHITE LS-3-N1	0917-421-043R	1	X	X					
37	LAMP GREEN/RED LSN.1/D13	0917-421-009R	1	X	X					

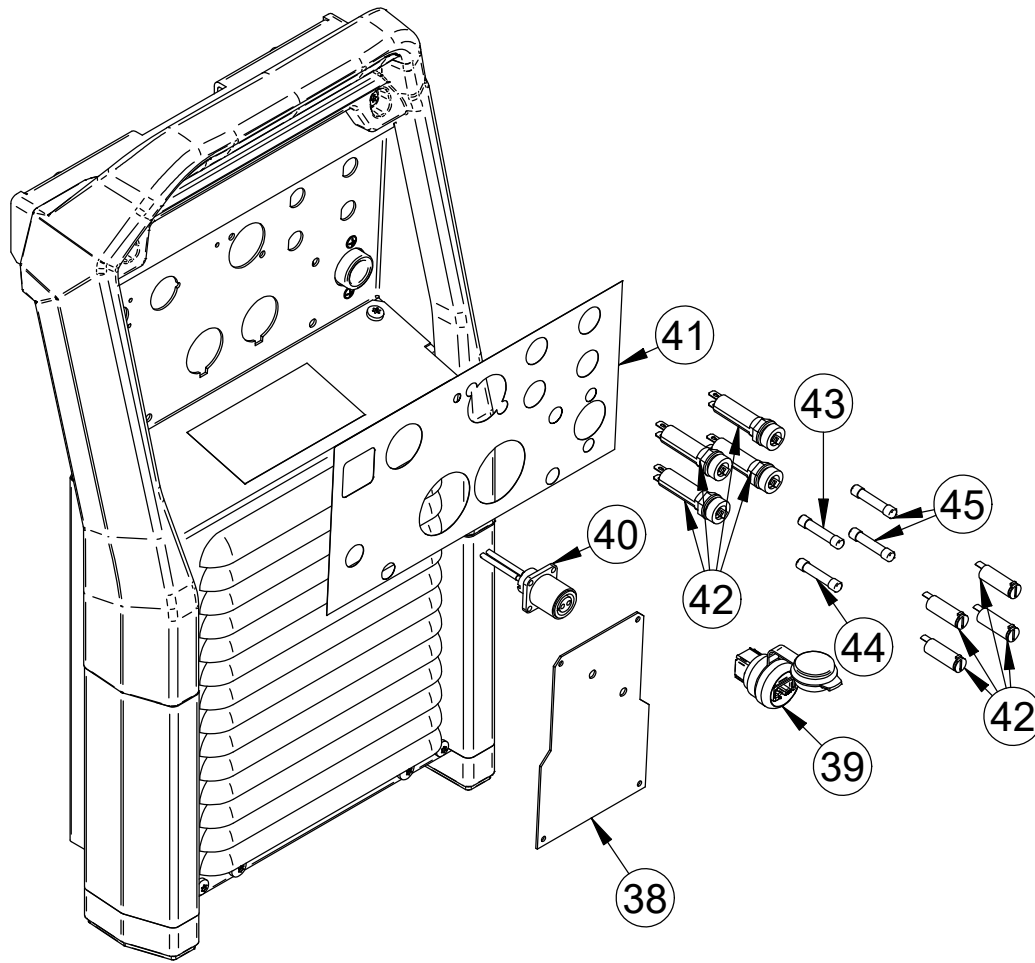


Figure D

Figure D: Rear Assembly

Item	Description	Part Number	QTY	1	2	3	4	5	6	7
38	COVER	R-1019-680-1R	1	X	X					
39	ETHERNET SOCKET	1159-190-070R	1	X	X					
40	GAS HEATER WIRING	R-5041-141-1R	1	X	X					
41	LABEL	R-0000-281-1R	1	X	X					
42	FUSE HOLDER + FUSE CAP	1158-632-032R	4	X	X					
43	FUSE 12,5A 6,3X32 ZGT	1158-660-012R	1	X	X					
44	FUSE 6,3X32 6,3A 400V WB-C	1158-660-008R	1	X	X					
45	FUSE 6.3X32 2A 400V WB-CT	1158-660-010R	2	X	X					

Miscellaneous Items (not shown in figure A, B, C, D)

Item	Description	Part Number	QTY	1	2	3	4	5	6	7
46	HARNESSES KIT	T-8040-111-1R	1	X	X					

# Electrical Schematic

CODE: 50547, 50548

